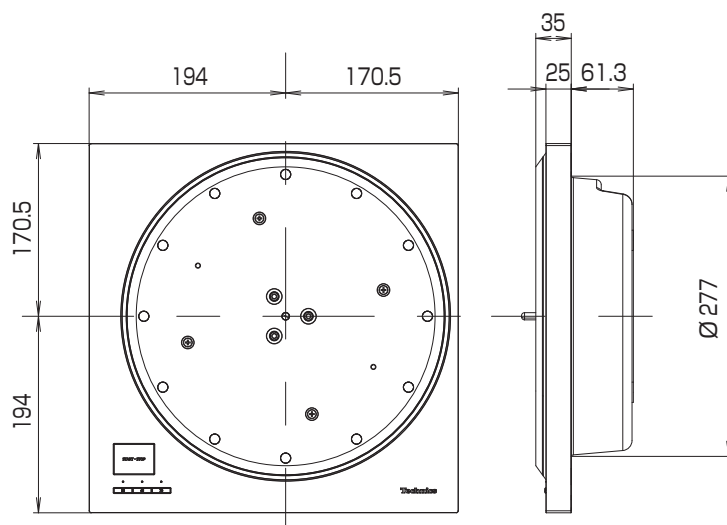


# Dimensional drawings

## ■ External dimensions

Select a cabinet that fits with the external dimensions of the player.

<Unit: mm>



## ■ Locations of the screws for fixing the cabinet

Fix the player to the cabinet at the nine positions (marked with dotted line) shown in the right figure (the bottom surface of the main unit). <Unit: mm>

- Fixing screw: M5

See the sectional view below when selecting the length of the fixing screws.

